

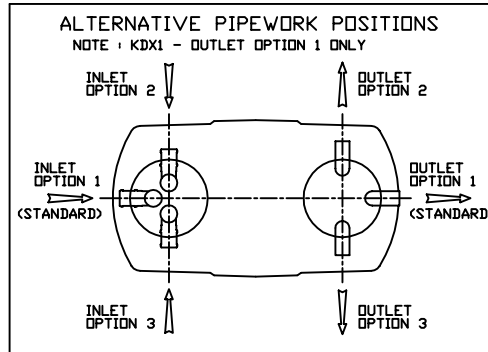
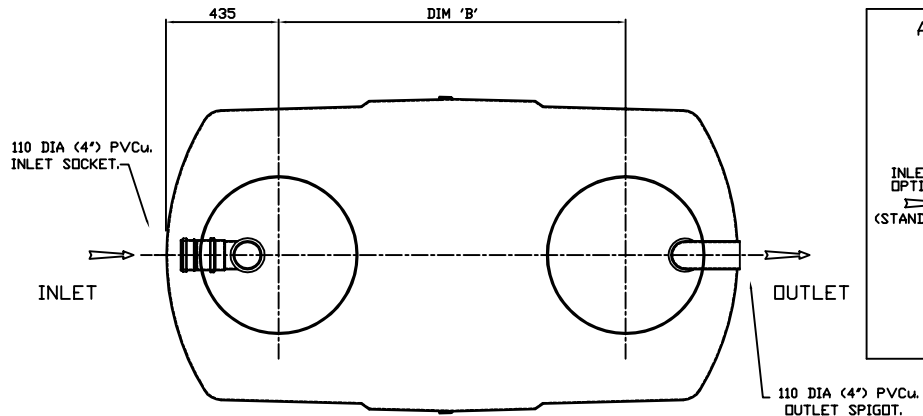


This information is brought to you by
Owls Hall Environmental working in
partnership with Klargester products.



Excellent Treatment

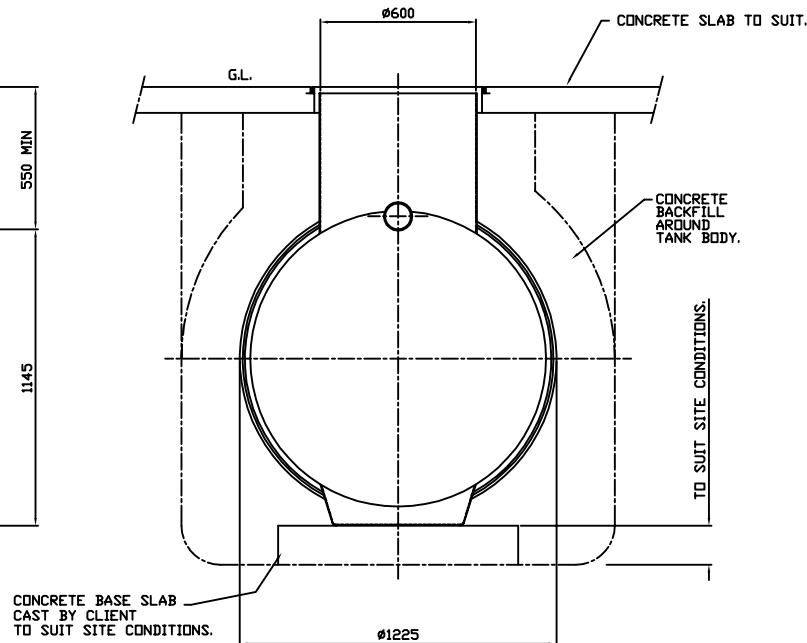
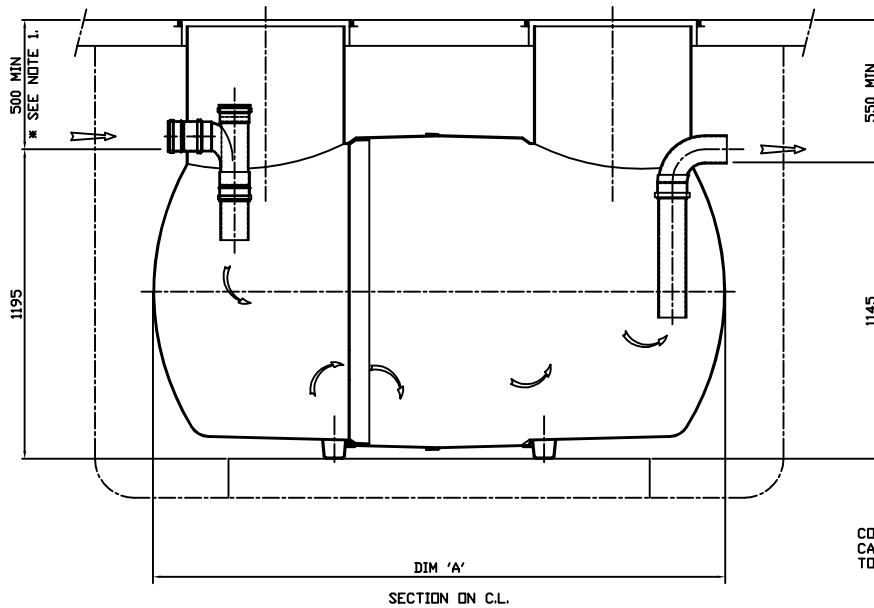
0845 375 1801
www.ohel.co.uk



NOTES :-

1. UNITS CAN BE PROVIDED WITH EXTENSION SHAFTS IN 0.5Mtr INCREMENTS.
2. STANDARD INLET/OUTLET PIPES ARE PVCu UNDERGROUND DRAINAGE TO BS4660, FOR OTHER PIPE SIZES AND TYPES AVAILABLE CONSULT KLARGESTER.
3. IT IS ESSENTIAL THAT THIS DRAWING IS READ IN CONJUNCTION WITH DATA SHEET PD0021 (SUPPLIED WITH UNIT) GIVING INSTALLATION DETAILS. THIS DRAWING SHOULD BE USED FOR DIMENSIONAL INFORMATION ONLY

UNIT	DIM 'A'	DIM 'B'	WORKING CAPACITY.	APPROX WEIGHT.		FALL ACROSS UNIT
				EMPTY	FULL	
G2A020	2210	1340	2000 Litres	100 Kg	2200 Kg	50
G2A030	3060	2190	3000 Litres	130 Kg	3180 Kg	50
G2A040	3910	3040	4000 Litres	160 Kg	4160 Kg	50




ISSUE	DATE	DRAWN	MODIFICATION
5	02.10.02	A.L.	DIMENSIONS AMENDED
4	16.09.02	A.L.	FEET AMENDED
3	29.10.01	A.L.	FOOTPADS / BORDER / DIMENSIONS. UPDATE
2	30.01.97	B.S.	DIP PIPE
1	26.01.96	B.S.	INITIAL ISSUE

This drawing is copyright and may not be reproduced or used without the written permission of Klargest Environmental Ltd. KLARGESTER RESERVE THE RIGHT TO CHANGE SPECIFICATIONS WITHOUT NOTICE



ALL DIMENSIONS ARE IN MILLIMETRES - DO NOT SCALE



Klargester
Klargester Environmental Ltd.
College Road, Aston Clinton,
Aylesbury, Bucks. HP22 5W.
Tel:- 01296 633000

TITLE	2000-4000L GREASE SEPARATORS (G2A020-G2A040)	
SCALE	1:10	SHEET SIZE A1
DRAWING NO.	800886	ISSUE 5